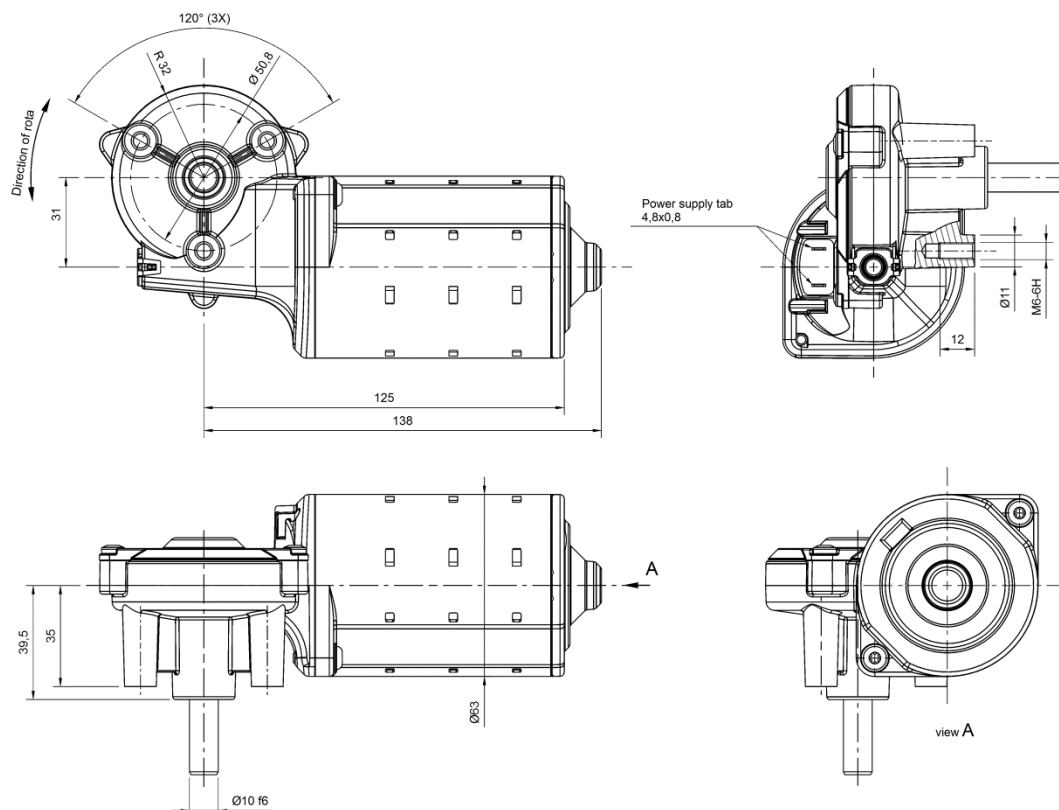


Technical data

Rated voltage	12-48 V _{DC}
Gear ratio	21:1 / 24:1 / 37,5:1
No-load speed (after 20min , ref. only)	60-280 rpm
Allowed gear-box temperature	85 °C
Degree of protection	IP20
Motor weight	ca 1,0 kg
Optional encoder	37 / 60 / 100 cpr (armature)



Technical data

Rated voltage	12-48 V _{DC}
Gear ratio	21:1 / 24:1 / 37,5:1
No-load speed (after 20min , ref. only)	60-280 rpm
Allowed gear-box temperature	85 °C
Degree of protection	IP20
Motor weight	ca 1,0 kg
Optional encoder	37 / 60 / 100 cpr (armature)

